



# FIELD INSTALLED BULKHEAD FITTING KITS



HO7100 / HO7105 / HO7200 / HO7205

EN

## Field Installed Bulkhead Fitting Kits

Installation manual

HO7100 Field installed bulkhead, single hose, pair, stainless bezels

HO7105 Field installed bulkhead, single hose, pair, plastic mounts

HO7200 Field installed bulkhead, dual hose, stainless bezel

HO7205 Field installed bulkhead, dual hose, plastic mount

**⚠ WARNING**

Cancer and Reproductive Harm  
[www.P65Warnings.ca.gov](http://www.P65Warnings.ca.gov)

# 1 Explanation of symbols

**WARNING!**

**Safety instruction:** Indicates a hazardous situation that, if not avoided, could result in death or serious injury.

**CAUTION!**

**Safety instruction:** Indicates a hazardous situation that, if not avoided, could result in minor or moderate injury.

**NOTICE!**

Indicates a situation that, if not avoided, can result in property damage.

**NOTE**

Supplementary information for operating the product.

# 2 General safety instructions

The manufacturer accepts no liability for damage in the following cases:

- Physical damage to the product.
- Damage due to incorrect installation.
- Alterations to the product.
- Use for purposes other than those described in the operating manual.

Read and understand all instructions included with the system prior to use.

# 3 Fitting Templates

**WARNING!**

It is not recommended to use the bulkhead components as a drill jig. Cut out then tape the template in place at the desired location on the hull. Use a center punch on all hole centers.

**NOTE**

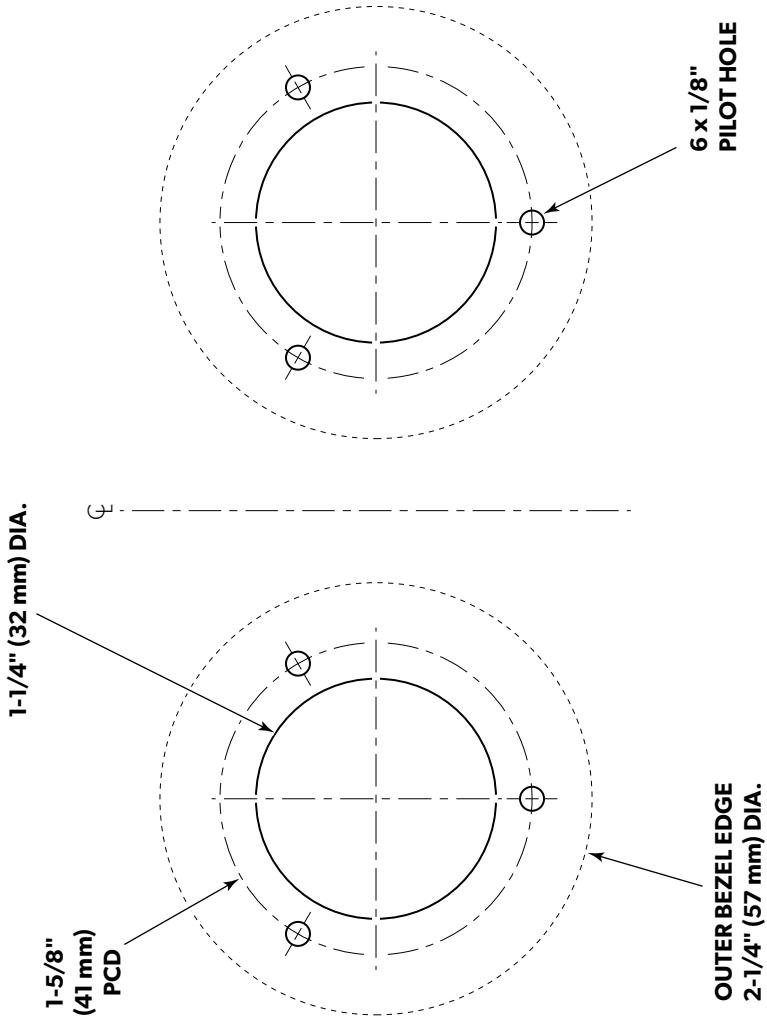
Pilot holes for the screws require a countersink to prevent fiberglass cracking when screws are tightened.

### 3.1 HO7100/HO7105 Fitting template



#### NOTICE!

If this template has been downloaded electronically or copied from another document, please verify all template dimensions prior to cutting. Print/copy reproductions may be scaled differently.

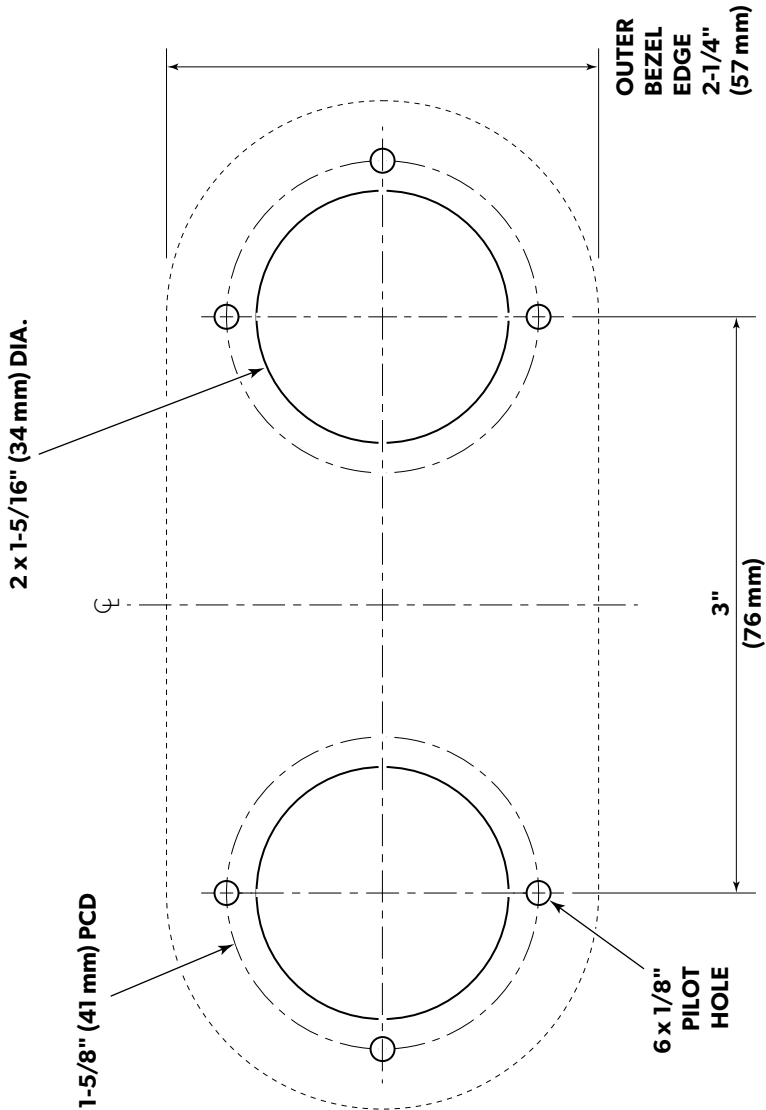


## 3.2 HO7200/HO7205 Fitting template



### NOTICE!

If this template has been downloaded electronically or copied from another document, please verify all template dimensions prior to cutting. Print/copy reproductions may be scaled differently.



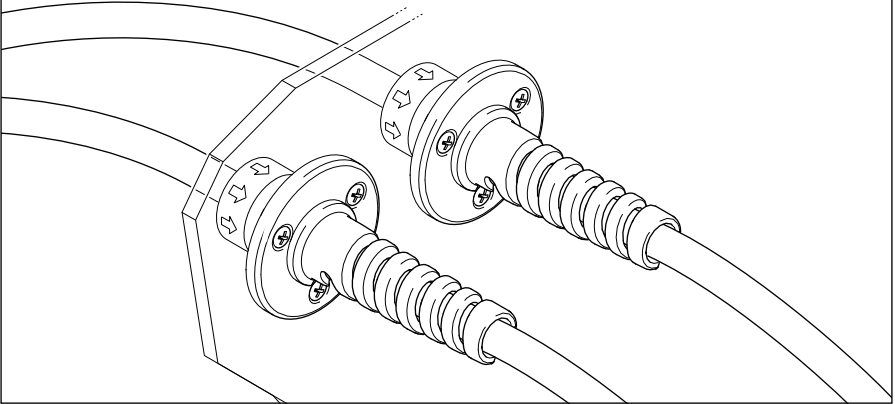
## 4 Bulkhead fitting installation



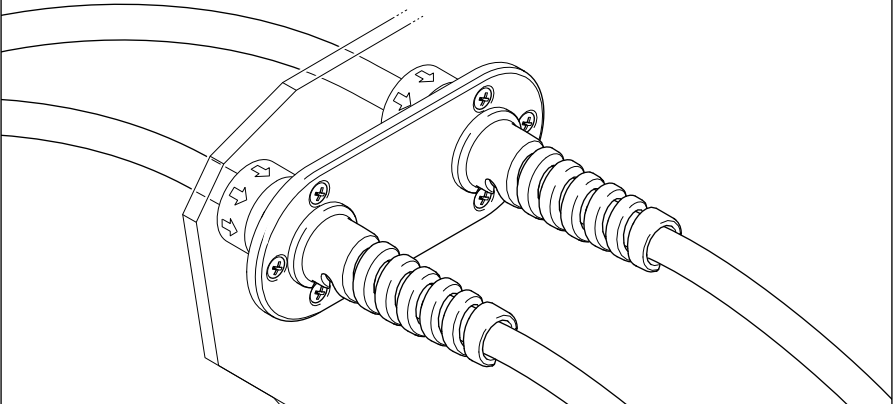
### CAUTION!

Before beginning with the hose installation, read ALL Notices, Cautions and Warnings that are supplied in your steering cylinder Owner's Manual. These Notices, Cautions and Warnings are there to inform you on the safe installation and operation of the steering system. Dometic cannot assume liability where installation instructions have not been followed and/or modifications have been made to our products.

- 1** HO7100 Single bulkhead fitting with stainless bezels.  
HO7105 Single bulkhead fitting with plastic base.



- 2** HO7200 Dual bulkhead fitting with stainless bezel.  
HO7205 Dual bulkhead fitting with plastic base.



**WARNING!**

Do not cut, kink or crush SeaStar outboard steering hose.

**NOTICE!**

Ensure that the mounting plates will be mounted to a flat, even surface.

**Step 1**

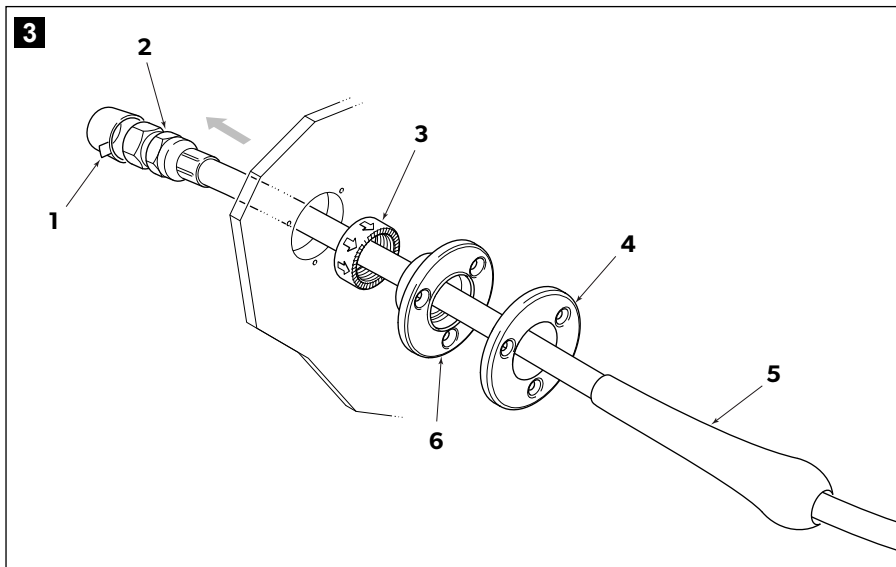
Determine desired location where the hoses will exit the hull. DO NOT mount below the waterline of the boat as the bulkhead fitting is not water-tight.

**Step 2**

Use the appropriate template to drill the clearance holes and pilot holes for the mounting screws. Deburr holes after drilling to ensure there are no burrs that may chafe or puncture the steering hose. Ensure the screw holes are countersunk to break the edge and prevent fiberglass cracking under screw load.

**Step 3**

Arrange the steering hoses so the bend restrictors (figure 3, item 5, pre-installed on each hose) will finish at the cylinder end. Remove dust cap (item 1) then install the bezel plate (item 4), mounting plate (item 6) and knurled nut (item 3) onto the helm end of the hose; orientate as shown. Replace dust cap after passing the hose end through items 4, 6, and 3.



## Step 4

With the dust caps still installed, feed the hoses from the outside of the boat through the newly drilled holes, inside along the gunwale or rigging tube to the desired steering system component. The mounting plates, knurled nuts and bend restrictors must remain outside the boat hull.



### CAUTION!

Except as indicated, do not remove the protective end caps (figure 3, item 1) until connection to the cylinder and other steering components are ready to be made.

### TECH TIP

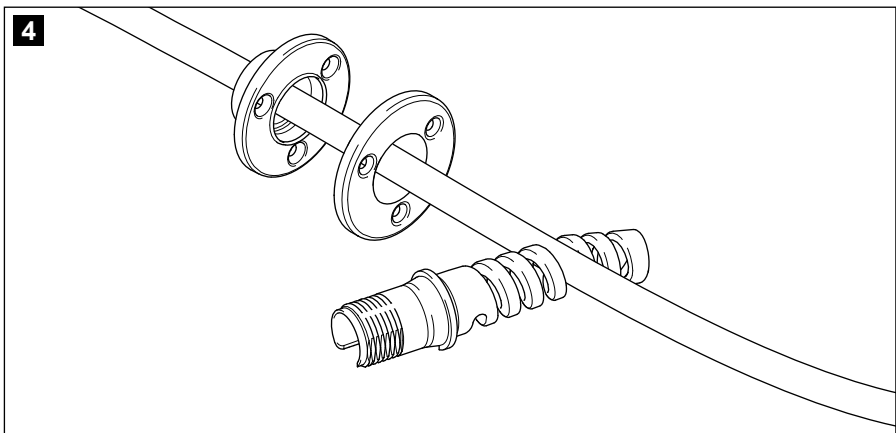
Do not allow the bulkhead fitting components to slide along the hoses into the hull as they may become difficult to retrieve. It is recommended that the knurled nut and mounting plates be temporarily taped in place during hose routing and connection.

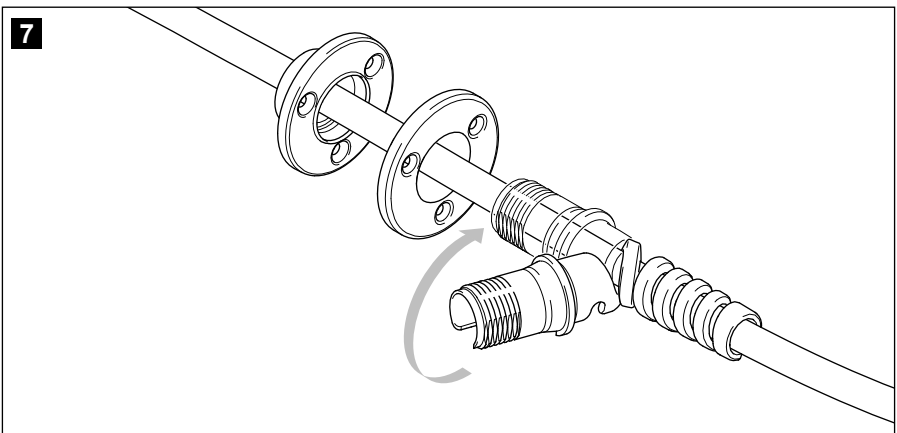
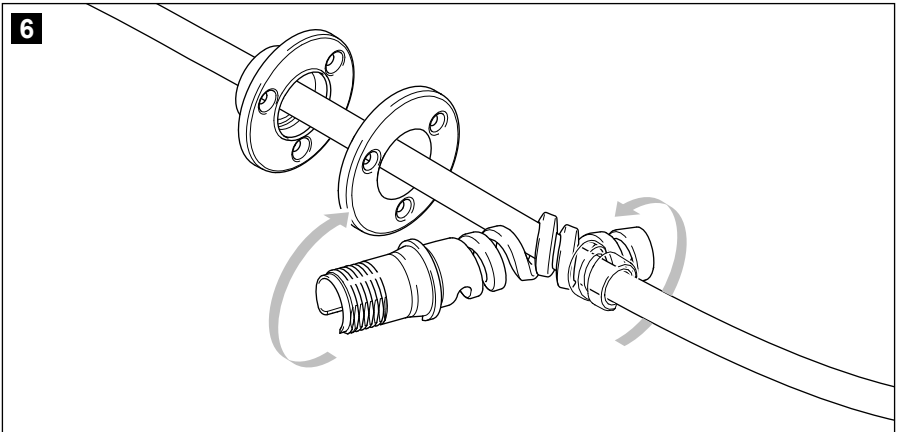
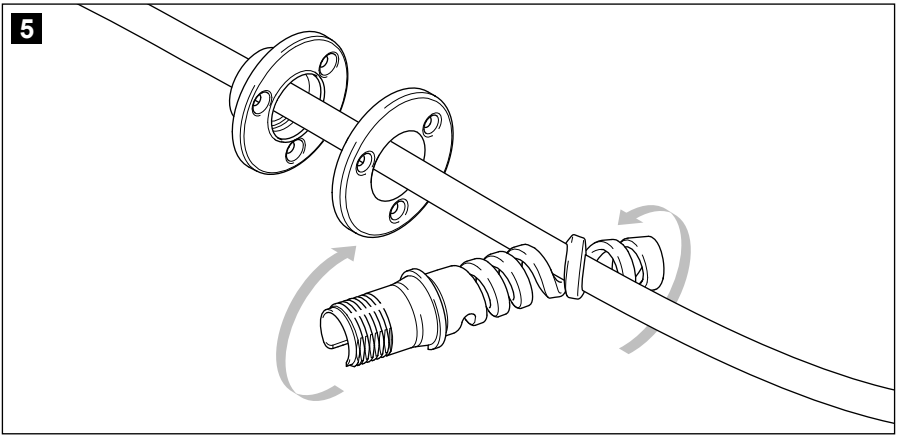
## Step 5

Connect both ends of each hose to their respective steering components (cylinder, autopilot pumps, SeaStar Power Assist units, helm, etc.).

## Step 6

Ensure the small end of the bulkhead fitting coil is pointing towards the cylinder end of each hose. Follow these steps to wind the bulkhead fitting onto each hose.

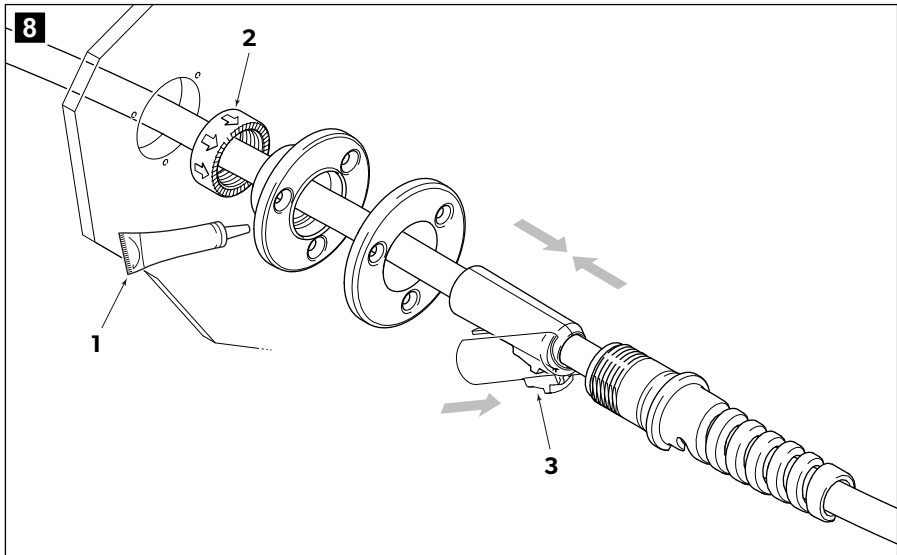






## Step 7

With the bulkhead fittings on the hose, wrap the split grommet (figure **8**, item 3) onto each hose, between the bulkhead fitting and mounting plate, oriented as shown.



## Step 8

Take time to arrange the hose length out of the hull to the cylinder. Ensure there is plenty of hose to permit full engine movement at all trim and tilt angles, including enough length for additional components like a jackplate or engine tiebars.

## Step 9

Once you are satisfied with the available hose length, assemble the bulkhead fitting components as shown in figure **8**. Torque the knurled nut (figure **8**, item 2) hand tight. The teeth on the knurled nut must properly engage the mounting plates for proper retention.

### TECH TIP

Dry fit installed bulkhead assemblies to the hull prior to applying sealant. Install all hydraulic components as per the associated Dometic manuals. After final system proof testing, perform caulking and installation of the hose bulkhead fittings, issuing as much hose length to the cylinder as required at STEP 8.

## Step 10

Apply a sufficient amount of marine grade adhesive caulking (figure **8**, item 1) at the interface between the mounting plate and the hull (figure **9**, item 1).

### TECH TIP

Don't apply too much sealant as cleanup can be messy and time consuming. Dometic recommends a 3/16" bead 360 around the boss of the mounting plates, near the flange. See figure **9**, inset.

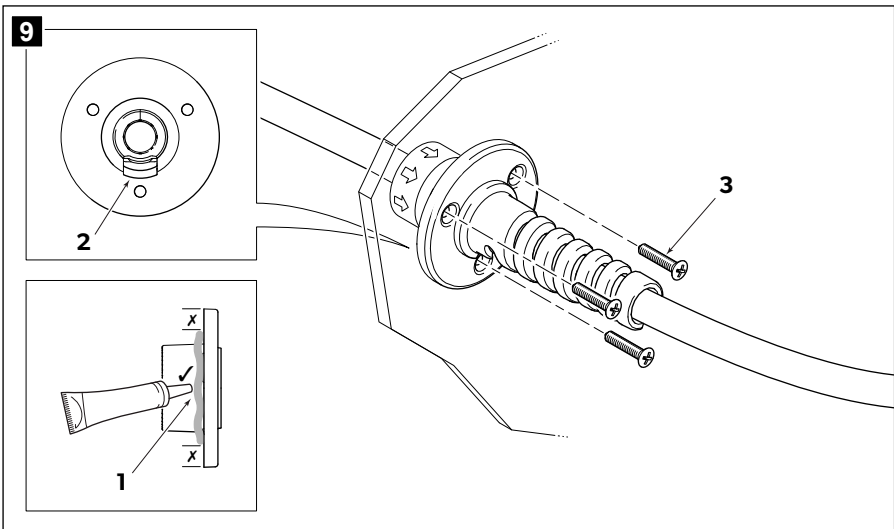
## Step 11

Secure each bulkhead plate to the hull using the provided #8 x 1" long stainless screws (figure **9**, item 3). The screws are designed to work in fiberglass and aluminum hulls. We recommend tightening these screws by hand. Do not overtighten.



### CAUTION!

Do not use other screws as the incorrect screw length and/or material may be inappropriate for this application.



### NOTE

Notch should be at bottom center after installation. Figure **9**, inset.

## Step 12

With the hose ends secured to the cylinder, slide the bend restrictor (figure **3**, item 5) over the hose fitting to secure in place.



### WARNING!

Ensure sufficient hose extends through the bulkhead fitting to allow movement of the cylinder through the entire engine motion in all trim/tilt positions, including the full range of jackplate positions (if applicable). It is not recommended to push/pull on the hoses through the completed bulkhead fitting assemblies. Hose damage may occur.

## Step 13

If necessary you can reposition the hose through the bulkhead fitting by removing the mounting plate and disassembling the bulkhead fitting assembly, then sliding the hose through the components to the new position. Reassemble the bulkhead fittings per steps 9 to 11. Some boats may allow access to the installed bulkhead fittings from the inside of the hull. If so, back off the knurled nut to allow removal of the bulkhead fitting. Reposition hose as required then re-insert the bulkhead fitting and tighten the knurled nut as per Step 9.

## Items contained in kits

Component	HO7100	HO7105	HO7200	HO7205
Mounting plate, single	2	2	-	-
Mounting plate, dual	-	-	1	1
Bulkhead fitting	2	2	2	2
Knurled nut	2	2	2	2
Grommet	2	2	2	2
Chrome bezel, single	2	-	-	-
Chrome bezel, dual	-	-	1	-
Screws	6	6	6	6

© 2020 Dometic Group. The visual appearance of the contents of this manual is protected by copyright and design law. The underlying technical design and the products contained herein may be protected by design, patent or be patent pending. The trademarks mentioned in this manual belong to Dometic Sweden AB. All rights are reserved.

Mobile living made easy.

---



© 2020 DOMETIC

PRINTED IN CANADA 08/20

DOMETIC VANCOUVER  
3831 NO.6 ROAD  
RICHMOND, B.C.  
CANADA V6V 1P6

[www.dometic.com](http://www.dometic.com)

**ISO 10592:1994**

---

Please scan  
this QR code  
and watch our  
latest **Boating  
Safety** video.



FORM NO. 971718 REV. A

